

Human muscle spindles are wired to function as controllable signal-processing devices

Michael Dimitriou*

Physiology Section, Department of Integrative Medical Biology, Umeå University, Umeå, Sweden

Abstract Muscle spindles are encapsulated sensory organs found in most of our muscles. Prevalent models of sensorimotor control assume the role of spindles is to reliably encode limb posture and movement. Here, I argue that the traditional view of spindles is outdated. Spindle organs can be tuned by spinal γ motor neurons that receive top-down and peripheral input, including from cutaneous afferents. A new model is presented, viewing γ motor activity as an intermediate coordinate transformation that allows multimodal information to converge on spindles, creating flexible coordinate representations at the level of the peripheral nervous system. That is, I propose that spindles play a unique overarching role in the nervous system: that of a peripheral signal-processing device that flexibly facilitates sensorimotor performance, according to task characteristics. This role is compatible with previous findings and supported by recent studies with naturalistically active humans. Such studies have so far shown that spindle tuning enables the independent preparatory control of reflex muscle stiffness, the selective extraction of information during implicit motor adaptation, and for segmental stretch reflexes to operate in joint space. Incorporation of advanced signal-processing at the periphery may well prove a critical step in the evolution of sensorimotor control theories.

*For correspondence:
mdimitriou@umu.se

Competing interest: The author declares that no competing interests exist.

Funding: See page 9

Received: 22 February 2022

Accepted: 29 June 2022

Published: 13 July 2022

Reviewing Editor: Eric Perreault, Northwestern University, United States

© Copyright Dimitriou. This article is distributed under the terms of the [Creative Commons Attribution License](https://creativecommons.org/licenses/by/4.0/), which permits unrestricted use and redistribution provided that the original author and source are credited.

Introduction

Most of our skeletal muscles contain a large collection of muscle spindle organs. Spindles are generally believed to be basic mechanoreceptors that encode muscle stretch and provide reliable information about actual limb posture and movement kinematics. Previous work and more recent studies using genetic manipulation methods have added a great deal of knowledge about the molecular mechanisms of mechanotransduction (e.g. *Kruse and Poppele, 1991; Bewick and Banks, 2015; Woo et al., 2015*). Spindles have been proposed to play a basic, low-level role in reflex motor control (*Houk, 1976*) and proprioception (*Goodwin et al., 1972*), and their malfunction has been linked to impaired motor coordination (*Sainburg et al., 1993*). An interesting recent proposition is that the mechanoreceptive part of spindles responds best to force-related variables, as shown in relaxed muscles (*Blum et al., 2017*). Still, the role of muscle spindle organs in their entirety (i.e. of the mechanoreceptor under in vivo efferent control) has remained unclear (for a recent comprehensive review see *Macefield and Knellwolf, 2018*).

In the relaxed muscle of the unengaged human, the characteristics of imposed muscle stretch are rather faithfully encoded by the signals of muscle spindle afferents. Specifically, there are two main types of muscle spindle receptors, the primary and the secondary, which give rise to the primary (type Ia) and secondary (type II) afferents, respectively (*Boyd and Davidson, 1997*). When imposing a ramp-and-hold stretch of the relaxed muscle, type Ia from this muscle are most responsive during muscle stretch, are sensitive to the rate of change of length (i.e., velocity), may encode static length but are silent during muscle shortening. That is, under passive conditions, primaries can be considered

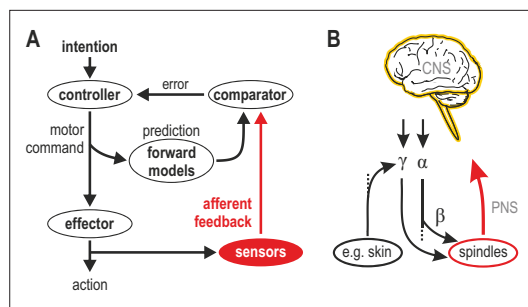


Figure 1. Human sensorimotor control and muscle spindle innervation. **(A)** One prevalent model of human sensorimotor control. Proprioceptors in muscle and skin are viewed as basic sensors, reliably encoding actual mechanical state in unimodal coordinates. Advanced (e.g. selective) processing of sensory signals is thought to occur only in the CNS. **(B)** The role of muscle spindles under naturalistic efferent control has remained unclear. Mammalian muscle spindles can be powerfully controlled by γ motor neurons. These lower motor neurons are subject to both top-down and peripheral control, including from cutaneous afferents. I propose that spindles and their control enable advanced processing of sensorimotor information, giving rise to flexible coordinate representations at the level of the peripheral nervous system (PNS).

to have both a good dynamic and fairly good static muscle-length sensitivity, whereas type II from passive muscle represent good static length sensitivity but a poorer dynamic sensitivity (*Edin and Vallbo, 1990a*). These response patterns reflect the general view of spindles, which says that type Ia firing encodes static muscle length and the velocity of stretch, and type II encode static muscle length. However, unlike other types of peripheral mechanoreceptors, the spindle organs have their own motor supply in the form of γ motor ('fusimotor') neurons (*Barker and Chin, 1961; Matthews, 1972*). Despite their rich innervation, the overarching role of muscle spindles in sensorimotor control has remained unclear, particularly so in the context of naturalistic active movement.

Figure 1A represents one prevalent model of how a voluntary movement is controlled and monitored (*Wolpert and Miall, 1996*). In this model, a controller in the CNS turns the intention to move into a motor command that is sent to skeletal muscles that power the action. A copy of the motor command is sent to internal forward models that make predictions about the sensory consequences of this action. The action itself generates feedback from sensory receptors. If the movement progresses as intended, there should be no discrepancy between the internally predicted signal and actual sensory feedback. This framework views mechanoreceptors in muscle and skin as basic sensors that transduce physical stimuli into unimodal feedback signals, ignoring the independent motor supply to muscle spindles. However, in mammals, ~30% of spinal motor neurons are γ , which supply muscle spindles exclusively (*Kuffler et al., 1951; Burke et al., 1977*). These γ neurons can be controlled by descending commands and/or peripheral afferent input (*Figure 1B*; see also following sections). The nervous system has clearly placed a premium on the control of muscle spindle signals at source. Given the renewed emphasis on proprioceptive feedback in motor control (e.g. *Crevecoeur et al., 2016; Scott, 2016; Tsay et al., 2021*), it is important to strive for a better understanding of how the most complex sensory organ outside of the special senses contributes to sensorimotor function.

Spindle tuning linked to skeletal muscle activation

A recent debate addressed the independent top-down tuning of human muscle spindles (*Burke, 2021a; Burke, 2021b; Dimitriou, 2021a; Dimitriou, 2021b*). Here, all possible modes of spindle control are addressed (i.e. independent and α -linked top-down control, as well as peripheral control) to support a unifying proposal: spindles are best thought of as signal-processors that enable flexible coordinate representations at the level of the PNS (*Figure 1B*). In this framework, spindles can facilitate sensorimotor performance in a flexible manner according to task characteristics, and not limit their contribution to routinely encoding actual posture and movement. In other words, I propose that spindles primarily function for the benefit of sensorimotor performance rather than veridical proprioception. As described in the following sections, this proposal is compatible with previous findings and supported by recent studies where human participants actively engage in fundamental sensorimotor tasks.

The most popularized explanation for human spindle control is based on ' α - γ co-activation' (*Vallbo, 1970*). In this view, γ fusimotor neurons are activated virtually the same time as α motor neurons, in order to prevent spindles from falling slack during muscle contraction. Essentially, in this context, α - γ co-activation simply maintains the stretch sensor operational. That is, the proposed function of

fusimotor control is to compensate for the shortcomings/complexities of the neuromuscular system allowing spindles to keep functioning as reliable kinematic proprioceptors. This rather mundane fusimotor function is probably one reason why prevalent computational frameworks have ignored fusimotor control. Most support for a lack of independence between α and γ motor neuron activity has come from recording spindle afferent signals during isometric contractions or during unnaturally slow and restricted movements (e.g. [Gandevia and Burke, 1985](#); [Wessberg and Vallbo, 1995](#); [Kakuda et al., 1996](#)). Moreover, co-activation of extrafusal (skeletal) and intrafusal (spindle) muscle fibers can be easily implemented through the more primitive beta neurons ([Jami et al., 1982](#); [Emonet-Dénand et al., 1992](#)). β neurons are essentially just α motor neurons that branch out to innervate extrafusal and intrafusal muscle fibers. Both mammals and lower vertebrates have β motor neurons, but only mammals seem to have γ motor neurons ([Hunt, 1951](#); [Emonet-Dénand and Laporte, 1975](#); [Murthy, 1978](#)). The vast majority of efferent projections to mammalian spindles are from γ motor neurons ([Matthews, 1964](#); [Emonet-Dénand et al., 1992](#)). The independent γ motor supply must therefore represent an evolutionary advantage, realized through the ability to dissociate spindle control from the control of skeletal muscles, in cases where this dissociation is favorable to the organism (see following sections).

Nevertheless, α - γ co-activation can account for the increase in spindle afferent firing observed during isometric contraction of the spindle-bearing muscle ([Edin and Vallbo, 1990b](#)); β motor neurons can also contribute ([Kakuda et al., 1998](#)). This increase in spindle firing is congruent with the known 'automatic' gain-scaling of short-latency stretch reflexes (SLRs), where reflex sensitivity is proportional to background activation of the homonymous muscle, as shown in postural tasks (e.g. [Matthews, 1986](#); [Pruszynski et al., 2009](#)). However, automatic gain-scaling alone cannot account for the modulation of SLR gains observed during movement ([Dufresne et al., 1980](#); [Soechting et al., 1981](#); [Nakazawa et al., 1997](#); [Wallace and Miles, 1998](#)). I have recently shown that spindle sensitivity to stretch can be positively related to the activity level of the spindle-bearing muscle, but also be negatively related to antagonist muscle activity ([Dimitriou, 2014](#)). That is, during continuous sinusoidal movements of a finger against different loads, spindle responsiveness to stretch was shown to depend on the balance of activity across an antagonistic muscle pair (hence joint dynamics), rather than activity in the spindle-bearing muscle alone ([Figure 2A](#)). The negative relationship with antagonist activation is compatible with top-down reciprocal inhibition of fusimotor neurons, as shown in intercostal muscles of the cat ([Sears, 1964](#)).

Using an innovative experimental approach, [Villamar et al., 2021](#) have very recently tested the hypothesis that SLR sensitivity during movement can be explained by the balance of activity across agonist and antagonist muscles. The observed changes in SLR sensitivity during ballistic elbow movements did reflect the net background activity across agonist and antagonist muscles. Moreover, the relative impact of agonist and antagonist activity on SLR gain were 'remarkably similar' to the coefficients generated by the aforementioned spindle study. Although the contribution of other mechanisms cannot be excluded, taken together, the afferent and stretch reflex results suggest that spindle tuning is at least partly responsible for shaping SLR gains during sinusoidal and ballistic movements under different loads. The 'antagonistic' mode of control demonstrates that spindle sensitivity to stretch does not only reflect the state of the homonymous muscle. The spindle response to a physical stimulus (i.e. the mechanoreceptor signal) can be modulated or 'processed' according to the contractile state of the spindle-bearing muscle and its antagonists. In the context of sinusoidal and ballistic single-joint movement, primary spindles do not seem to function as reliable unimodal sensors encoding muscle stretch or joint rotation ([Figure 2A](#)). Rather, by integrating mechanical stimulation and fusimotor commands, spindles help augment volitional motor control according to the prevalent dynamics around a single joint. That is, spindle tuning based on muscle activation balance (i.e. reciprocal control) enables even segmental reflex contribution from single muscles to occur in 'joint space'. Future research will determine whether spindle tuning can also reflect multi-joint dynamics.

Independent tuning of muscle spindles in active contexts

As described in the previous section, spindle sensitivity can reflect muscle activation in isometric and movement tasks where differential muscle loading is the predominant or defining variable feature. However, neither ' α - γ co-activation' nor 'antagonistic muscle balance' can justify the need for an independent fusimotor system. α -linked fusimotor activity could be carried solely by β efferents. So why

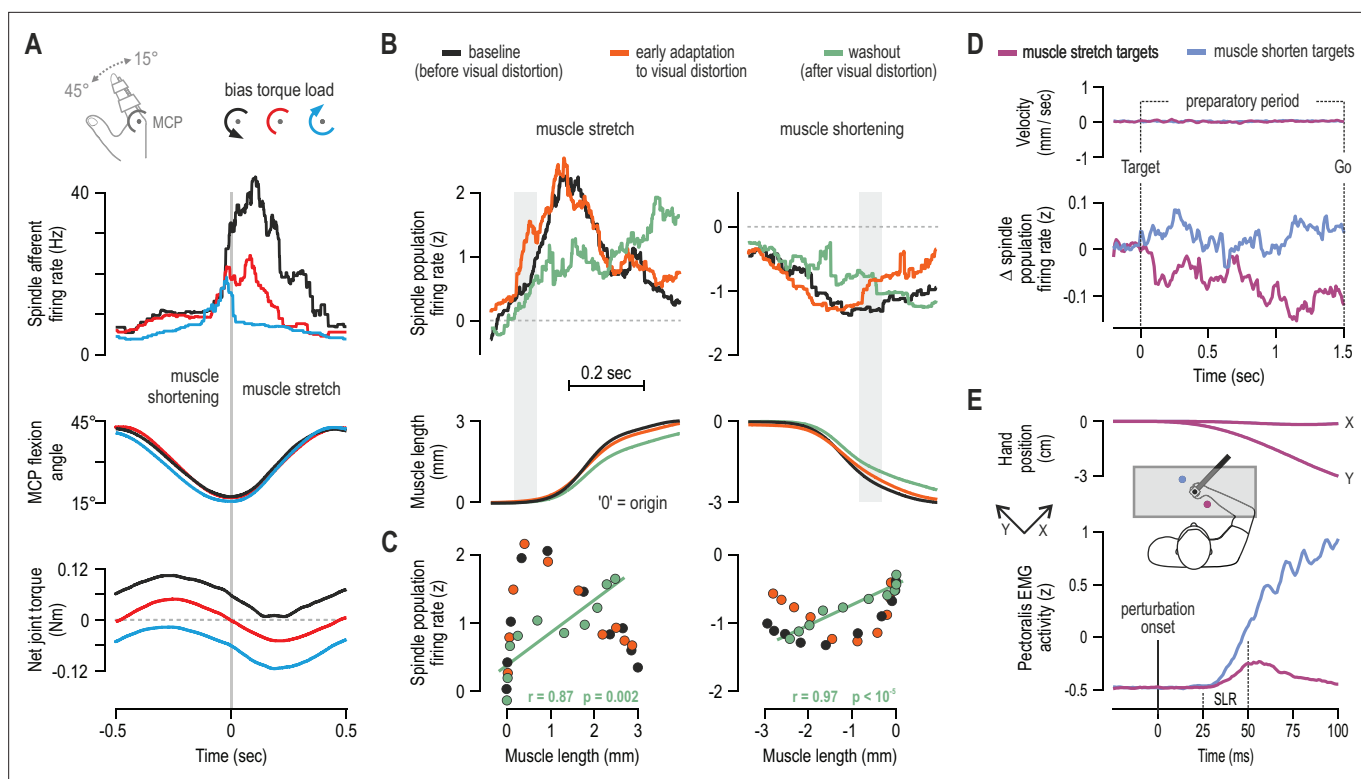


Figure 2. Human muscle spindle organs are not basic kinematic sensors. **(A)** Averaged responses of a representative spindle afferent from the common digit extensor muscle, during active sinusoidal movements of a single finger at 1Hz (adapted from Figure 3 of [Dimitriou, 2014](#)). Movement was constrained to the metacarpophalangeal joint (MCP) and occurred under a flexion resistive or assistive torque load, or no external load. Standard classification tests identified the afferent as a typical spindle primary (i.e. 'type Ia'; see Fig 2 in [Dimitriou, 2014](#)). Despite virtually identical finger flexion, spindle responses to stretch varied according to joint dynamics. **(B)** Averaged spindle afferent population responses and equivalent muscle length changes during the classic visuomotor rotation task (both 'B' and 'C' adapted from Figure 4A and 4E of [Dimitriou, 2016](#)). Grey background bars highlight phases in early adaptation (orange) that differ substantially from baseline (black). **(C)** Correlating the signals shown in 'B' (down-sampled at 50ms) confirmed a significant relationship in the washout stage. **(D)** The firing rates from extensor muscles were lower when preparing movement to visual targets associated with stretch of the spindle-bearing muscle (purple). 'D' and 'E' are adapted from Figure 2B and 6A of [Papaioannou and Dimitriou, 2021](#). **(E)** Averaged signals across participants; experiments using a robotic manipulandum showed a congruent goal-directed tuning of stretch reflexes, including at the short-latency epoch ('SLR') in cases where the homonymous muscle was not heavily loaded before perturbation. Color coding as in 'D'.

have we and other mammals evolved γ motor neurons? What is the nature of independent spindle tuning? What are the benefits for sensorimotor performance? With existing methodologies, it has proven virtually impossible to systematically record from human γ motor neurons. Only one study claims to have directly recorded from single γ efferents of immobile humans ([Ribot et al., 1986](#)). However, recording from individual spindle afferents using microneurography is a feasible and even preferable alternative, because γ neurons supply spindles exclusively, and the spindle organ acts as an integrator of input from mechanoreception and multiple fusimotor fibers; that is, afferent firing also allows assessment of net fusimotor impact, whereas random fusimotor fibers, whose actions sum non-linearly, may be less revealing in this respect ([Matthews, 1972](#); [Prochazka, 1989](#)). Therefore, one way to address the questions above is to record spindle afferent signals during naturalistic movement in fundamental sensorimotor tasks.

One such task involves implicit adaptation to a visual distortion (i.e. the classic visuomotor rotation task). In a recent study, participants used their right hand to perform this task while spindle afferent signals were recorded from wrist extensor muscles ([Dimitriou, 2016](#)). The observed adaptation behavior was stereotypical for this type of task: an exponential curve could be fitted to movement direction error in the early adaptation stage and in 'washout' (the stage where participants gradually re-adapt to removal of the visual distortion). Despite fundamentally identical muscle kinematics across all stages of the task, there was a dissociation in spindle population signals as a function of task

stage. Specifically, compared to baseline, there was an increase in primary muscle spindle sensitivity to stretch in early adaptation (**Figure 2B**) suggesting a similar increase in stretch reflex gains as a means of reducing movement error online. In the washout stage, spindle afferents (Ia and II) stopped encoding stretch velocity and were instead 'linearized' with respect to muscle length (**Figure 2BC**, green). That is, spindle signals were tuned to hand position only during washout, possibly for facilitating the relevant update of internal models in this stage, where haptic and visual coordinate frames re-align.

In the visuomotor adaptation task, muscle spindles were flexibly tuned according to the need to adapt and the congruence between haptic and visual coordinate frames. A follow-up study applied whole-arm perturbations during probe trials that were randomly interleaved at the different stages of the implicit adaptation task; the study produced equivalent findings concerning stretch reflex tuning, including evidence that levels of SLR attenuation in washout (a proxy for spindle 'linearization') reflect individual rates of implicit adaptation (**Dimitriou, 2018**). It is believed that flexible and adaptive motor control can rely on statistically optimal integration of multimodal sensory inputs (e.g. **Körding and Wolpert, 2004; Bays and Wolpert, 2007**). For reaching movements, proprioceptive and visual information are thought to be weighted according to their direction-dependent precision (**van Beers et al., 1999**). Another line of research suggests that the brain constructs flexible coordinate representations depending on task needs and characteristics (**Bernier and Grafton, 2010; McGuire and Sabes, 2011; Leoné et al., 2015**), although the required coordinate transformations are considered costly due to error and noise in the underlying computations (**Soechting and Flanders, 1989; Sober and Sabes, 2005; Schlicht and Schrater, 2007**). By siphoning multimodal information to the periphery in order to construct flexible representations at source, spindles and their fusimotor control may help alleviate some of the cost associated with internal coordinate transformations.

Another well-studied experimental paradigm is the instructed-delay reach, where there is a delay between a target cue and a 'Go' signal to move. This delay is designed to investigate movement preparation. Having a long-enough preparatory delay improves the overall quality of movement and cuts down on reaction time (**Rosenbaum, 1980; Ghez et al., 1997; Sutter et al., 2021**). Preparatory cortical activity correlates well with parameters such as movement direction/extent and visual target location (**Tanji and Evarts, 1976; Weinrich et al., 1984; Kurata, 1993; Shen and Alexander, 1997**). It was initially suggested that preparatory cortical activity represents a subthreshold version of the activity seen during movement, but more recent work suggests that preparation sets an initial neural state that somehow facilitates the subsequent movement (**Churchland et al., 2010**). In a recent study (**Papaioannou and Dimitriou, 2021**), we demonstrate goal-directed tuning of muscle spindles and stretch reflex gains during movement preparation. Specifically, despite no differences in kinematics or surface EMG during preparation, type Ia firing rates were lower when preparing to reach targets associated with stretch of the spindle-bearing muscle (**Figure 2D**). That is, spindle responses can also be flexibly adjusted according to 'extrinsic' visual information about target location. These findings are congruent with recent reports of preparatory modulation in the primary somatosensory cortex (**Ariani et al., 2022; Gale et al., 2021**), but suggest that such preparatory changes in the CNS may be partially due to processing altered afferent signals, rather than exclusively reflect internally-generated commands or priming.

We also found a strong positive relationship between type Ia firing during late preparation and time-to-peak velocity during reaching, suggesting that spindle preparatory tuning has a substantial impact on the subsequent voluntary movement (**Papaioannou and Dimitriou, 2021**); every additional unit increase in Ia firing rate involved a 3ms delay in attaining peak velocity during movement. This relationship can be understood in terms of the spindle's role in stretch reflexes. By independently modifying spindle gains, the fusimotor system can affect the degree of reflex muscle stiffness during movement execution, without affecting contractile muscle force during preparation. Modulating the level of reflex stiffness in a goal-appropriate manner can facilitate the execution of planned reaching movements. Muscle afferent (reflex) feedback contributes significantly to force generation, about a third of volitional contraction (**Hagbarth et al., 1986; Gandevia et al., 1990**), regardless if the contraction is maximal or not (**Macefield et al., 1993**).

It is known that spindle Ia signals can also affect long-latency stretch reflex responses - LLRs (e.g. **Hunter et al., 1988; Fellows et al., 1993; Pruszynski and Scott, 2012**). Additional experiments implicating whole-arm perturbations confirmed that goal-directed tuning of type Ia responses reflected a

congruent modulation of stretch reflex gains at all latencies, including at SLR latencies in cases where the muscle was not heavily pre-loaded (**Figure 2E**). LLR gains exhibited goal-dependency regardless of muscle pre-loading level (**Papaioannou and Dimitriou, 2021**). The same study demonstrated that goal-directed modulation of LLR gains was stronger following a long rather than a relatively short preparatory delay, closely matching the temporal evolution of spindle preparatory tuning. Moreover, the used 'short' preparatory delay (200–250 ms) is considerably longer than the minimum delay required for shaping LLR responses via selective CNS processing (e.g. **Yang et al., 2011; Scott, 2016**), but shorter than the time required for full afferent expression of changes in dynamic fusimotor drive (**Crowe and Matthews, 1964**). Future work will determine whether spindle tuning helps control reflex muscle stiffness across different tasks (such as object interception), and further clarify how muscle loading relates to possible independent tuning of spindles. For example, one approach could involve examining spindle afferent responses during dynamic ('force-field') learning (**Shadmehr and Mussa-Ivaldi, 1994**).

Nevertheless, in planned voluntary reach, spindle responses to stretch can be locally adjusted (or 'processed') according to the intention to move in a particular direction (**Figure 2D**). That is, tuning of human spindles can reflect specific goals within a behavioral context (reaching), which represents a finer degree of spindle modulation than tuning according to behavioral context or type of task, as previously and more recently suggested (**Prochazka et al., 1985; Ribot-Ciscar and Ackerley, 2021**). One study found no evidence of a selective effect on fusimotor neurons when anticipating the need to make a contraction that would oppose an imposed movement of the foot at the ankle (**Burke et al., 1980**). However, our 2021 study was the first to implicate true reaching intention and action. In this case, the intention to perform a voluntary goal-directed movement may be necessary for engaging independent fusimotor control.

It should be emphasized that all findings described in **Figure 2** involve control of the dominant upper limb. It is possible that there is a large degree of functional specialization in the fusimotor control of upper vs. lower limbs. Most of what we know concerning mammalian muscle spindle structure and fusimotor function has come from work with cats (e.g. **Barker, 1948; Matthews, 1972; Hulliger, 1984**), and many inferences we currently make concerning human fusimotor control would have been impossible without this work. For example, such research has shown that there are two independently controlled groups of γ motor neurons, 'static' and 'dynamic', with the latter innervating only primary muscle spindles (**Matthews, 1962**). In active cats, fusimotor and spindle activity has been most thoroughly examined in the context of locomotion (see e.g. **Prochazka, 1996**). Equivalent data during human locomotion are lacking due to methodological limitations. Mathematical modelling suggests that fusimotor control optimizes the spindles' ability to encode position sense by accounting for the presence of musculoskeletal complexities and output noise (**Scott and Loeb, 1994**). However, another prominent line of work suggests that spindles are not length detectors, but instead are independently controlled in a predictive manner in order to modulate the function of spinal central pattern generator (CPG) circuits during locomotion (**Ellaway et al., 2015**). A similar fusimotor support of human bipedal locomotion may occur, although it is currently unclear whether CPG networks exist in the human spinal cord (**Minassian et al., 2017**). Recordings from humans have also suggested a more predictive role for spindle signals. In one paper, we correlated spindle population responses recorded during block-grasping and key-pressing with muscle velocity occurring at the same time as the recorded afferent signal, and velocity observed at different points into the future (**Dimitriou and Edin, 2010**). The closest relationship was between afferent firing rate and velocity ~ 150 ms after the spindle signal. This result meant that muscle spindles fulfilled all three neurophysiological criteria for identifying a forward sensory model (**Wolpert and Miall, 1996**): spindle inputs were the current state of the system (mechanoreception) and an efferent command (β or α - γ), and spindle output predicted the future kinematic state. However, later studies showed that the spindles' 'predictive' capacity does not hold across tasks. For example, if anything, the opposite results should have been observed in preparatory modulation (e.g., **Figure 2D**), and suddenly adding a new external load did not significantly alter the predictive capacity of spindles during the initial cycles of sinusoidal movement (**Dimitriou, 2014**). To identify forward sensory models, one could perhaps add a fourth criterion stating that forward models should make worse predictions in novel contexts.

Peripheral control of spindle sensitivity

Prominent theories of spindle and fusimotor control have not incorporated the possibility of substantial afferent influence on fusimotor neurons. Peripheral ('reflexive') input to γ neurons, including from cutaneous afferents, has been mainly demonstrated using electrical nerve stimulation in anaesthetized cats (Appelberg *et al.*, 1977; Johansson and Sojka, 1985; Johansson *et al.*, 1986). These findings reinforce the idea that pools of γ motor neurons should be considered as an integrative system able to combine sensorimotor 'apples and oranges', that is, descending commands and peripheral multi-sensory information.

A functional degree of peripheral multisensory integration – such as for dexterous object manipulation – may be possible at the level of the spindle as a result of afferent control of γ neurons. This hypothesis is compatible with evidence of 'multimodal' signals (tactile-proprioceptive) already in area 3a of the somatosensory cortex (Kim *et al.*, 2015). However, so far, cutaneous stimulation has been shown to have a limited impact in two studies of spindle afferent activity in passive humans (Aniss *et al.*, 1990; Gandevia *et al.*, 1994). But afferent control of spindle sensitivity may prove stronger or more easily unmasked in the active individual (e.g. due to higher background tonus). The specific functional advantage of having such afferent connections is currently unclear. One previous study has demonstrated edge-orientation processing in tactile neurons as a function of their receptive fields (Pruszynski and Johansson, 2014). However, in this case, cutaneous afferent signals were bound to the characteristics (edge-orientation) of the 'adequate' physical stimulus. In contrast, muscle spindle output can potentially be modulated according to the characteristics of a physical stimulus in another modality (e.g. cutaneous), via efferent control. Although top-down control alone supports the notion that spindles are best viewed as flexible signal-processing devices rather than basic mechanoreceptors (Figure 1B and Figure 2), the possibility of substantial peripheral control of fusimotor neurons adds another layer of support to this proposition.

While fusimotor innervation can allow spindles to function as controllable signal-processors, peripheral modulation of spindle sensitivity may be also enabled by the structure of these encapsulated organs. It has long been known in microneurography circles that percutaneous mechanical

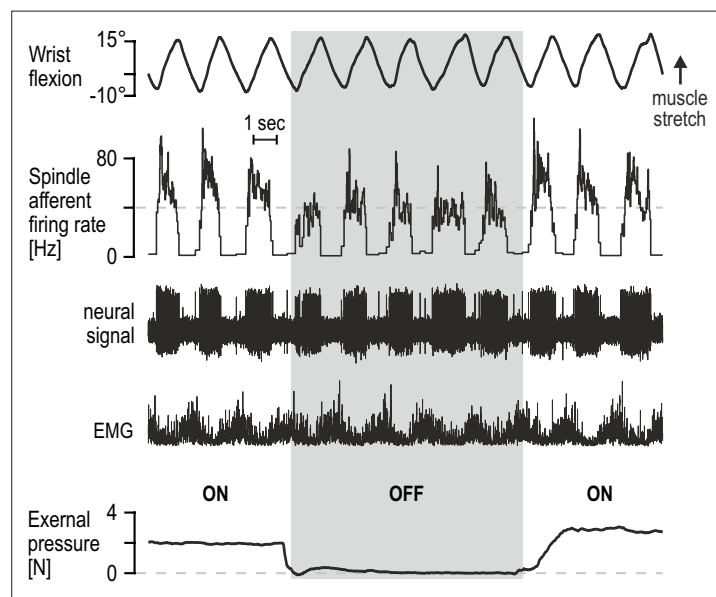


Figure 3. Percutaneous mechanical pressure near the spindle capsule affects encoding of active movement. Responses of a spindle afferent from a wrist extensor muscle while the participant continuously moved their right semipronated hand about the wrist (flexion-extension; 0° denotes alignment with forearm). A hand-held probe was used by the experimenter for applying and measuring mechanical pressure over a small area of skin on the forearm (5 mm probe tip diameter), near the spindle capsule, during some movement cycles only (grey vertical bar denotes stimulus removal). Throughout, the participant's gaze was directed at a monitor displaying a cursor that tracked hand movement. Despite very similar hand movement and activation patterns of the spindle-bearing muscle ('EMG'), spindle responses to hand flexion were markedly stronger during percutaneous pressure.

pressure applied near the spindle capsule, likely leading to its compression, can have some effect on spindle afferent firing. Such mechanical pressure can otherwise represent an ecologically valid stimulus, brought on by increased intramuscular pressure due to active contraction or simply materialize when muscles are palpated. Representative preliminary data from our lab indicate that, regardless of underlying mechanism, spindle afferent responses to active movement are substantially affected by light-to-moderate percutaneous pressure applied near the spindle capsule (**Figure 3**). It is tempting to speculate as to the potential regulatory function of such peripheral modulation, especially in the context of recent findings that intramuscular fluid pressure can have immediate and significant effects on contractile muscle force (**Sleboda and Roberts, 2020**). Nevertheless, the preliminary findings in **Figure 3** serve as yet another indication that spindles are inclined to produce flexible representations rather than a consistent picture of actual limb kinematics.

Concluding remarks

I propose that muscle spindle organs are versatile signal-processing devices whose overarching role is to facilitate sensorimotor performance according to task characteristics, rather than faithfully encode posture and movement. Here, I have outlined recent evidence that spindle tuning can enable the independent preparatory control of muscle compliance, the selective extraction of information during implicit motor adaptation, and for segmental stretch reflexes to operate in joint space. The complete spindle repertoire remains to be revealed. Of particular interest is the ability of spindles to act as conduits of multimodal information. The fusimotor neurons controlling spindles can integrate multisensory peripheral input and top-down commands (which can also reflect sensory events, e.g. in vision; **Figure 2D**). It is reasonable to think of fusimotor activity as an intermediate coordinate transformation enabling different information to converge on spindles, generating flexible coordinate representations at level of the PNS (**Figure 4**). Such dimensionality reduction may potentially simplify motor control without limiting performance. A more flexible and central role for spindles justifies the premium placed on their control by the nervous system (i.e. ~30% of lower motor neurons are γ). Such a role is also compatible with the seemingly large number of parameters found to correlate closely with motor and premotor neural activity, and with models that claim the motor cortex essentially operates in ‘proprioceptive’ coordinates (**Adams et al., 2013**).

Consistent information about actual limb position and movement kinematics is also necessary. It is widely believed that how we sense our body, including its position and movement, depends on the

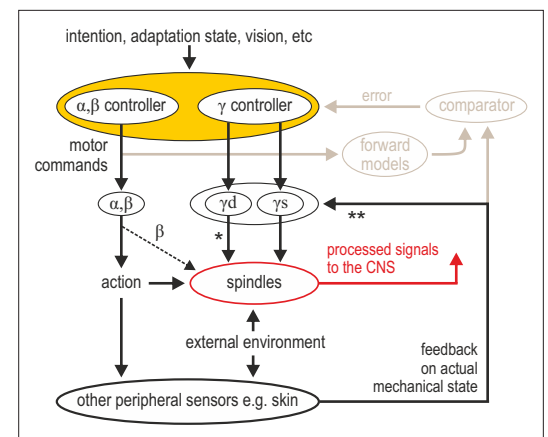


Figure 4. Advanced signal-processing at the level of muscle spindle organs. In addition to descending commands to skeletal muscles and an efferent copy to forward models (**Figure 1A**), there can be independent descending control of γ dynamic (γ_d) and γ static (γ_s) spinal motor neurons. The vast majority of efferent projections to spindles are from γ motor (‘fusimotor’) neurons, but there is also some β supply (indicated by the thinner dashed line). Fusimotor control can affect spindle output in the absence of mechanical stimulation (e.g. muscle stretch), but fusimotor activity can also shape spindle responses to direct mechanical stimulation arising from own action or the external environment. ‘*’: γ_d project only to primary muscle spindles, allowing for differential control of primary and secondary muscle spindles. Electrophysiological studies in mammals have also demonstrated multisensory afferent convergence onto fusimotor neurons. ‘***’: The specific impact of afferent control of fusimotor neurons has not been determined yet in the active human, and may well vary across body segments e.g., stronger in the hand and/or the foot. In this model, joint and cutaneous receptors (and vision) provide consistent/reliable information about actual bodily state, and potentially so do spindles, e.g., if they are predominantly affected by direct mechanical stimulation (as in the case of the passive, unengaged individual). But here, fusimotor activity represents an intermediate coordinate transformation that allows multimodal information to converge on spindles, creating flexible representations at the periphery. So far, spindle tuning has been shown to facilitate load compensation in joint space, the selective extraction of information during motor adaptation, and the independent preparatory adjustment of reflexive muscle stiffness before goal-directed reaching (**Figure 2**).

interplay of multimodal signals (e.g. *Makin et al., 2008*; *Proske and Gandevia, 2012*). While spindles can encode limb position preferentially in certain contexts (e.g. *Figure 2C*), vision, joint and cutaneous signals also contribute to proprioception and kinesthesia (*Collins and Prochazka, 1996*; *Collins et al., 2005*; *Sarlegna and Sainburg, 2009*). Both a flexible role for spindles and multimodal contributions to proprioception are supported by the general model proposed here (*Figure 4*). Interestingly, it is known that direct electrical stimulation of single joint and cutaneous afferents evokes appropriate sensations, but stimulation of single spindle afferents does not lead to any conscious sensations in the absence of movement (*Macefield et al., 1990*). Tendon vibration (artificial spindle stimulus) of the unseen limb can lead to illusory perception of physically impossible limb configurations, and seeing the vibrated limb strongly attenuates illusory motion (*Lackner and Taublieb, 1984*). If spindles are not routinely tasked with providing a faithful representation of posture and limb kinematics (i.e., not tasked with encoding the consequences of action), spindle tuning can instead emphasize the flexible facilitation of concurrent or future action. While recording from human afferents and performing follow-up behavioral studies has helped shape our understanding of spindle function, elucidating the underlying mechanisms in more detail will require much more work on multiple fronts. For example, predictions stemming from human afferent data concerning fusimotor function can be tested more freely in animal models, using a range of modern techniques, as recently emphasized (*Wilkinson, 2021*). Achieving a comprehensive account of spindle contribution will likely also advance our understanding of core sensorimotor principles.

Open questions

1. Does the nervous system tune muscle spindles according to multi-joint dynamics?
2. Beyond planned reaching, does independent tuning of spindles help control muscle compliance across different tasks (e.g., object interception)?
3. In terms of task-relevant flexibility, how different is the tuning of primary and secondary muscle spindle receptors?
4. Given the peripheral afferent input to fusimotor neurons, does cutaneous stimulation have a significant impact on spindle sensitivity in the active human? What are the benefits for sensorimotor performance e.g., in terms of the dexterous manipulation of objects?
5. Is there substantial functional specialization in spindle tuning across human upper and lower limbs (e.g. in the degree of cutaneous modulation), and if so, what is its purpose? Similarly, are there differences in spindle control between the dominant and non-dominant limb, and can such differences account for discrepancies in sensorimotor performance?
6. Which brain areas and descending pathways are involved in fusimotor control during e.g., movement preparation?

Acknowledgements

I thank DW Franklin, D Soteropoulos and F Torell for their constructive feedback on previous versions of this manuscript.

Additional information

Funding

Funder	Grant reference number	Author
Vetenskapsrådet	2020-02140	Michael Dimitriou

The funders had no role in study design, data collection and interpretation, or the decision to submit the work for publication.

Author contributions

Michael Dimitriou, Conceptualization, Funding acquisition, Project administration, Writing - original draft, Writing - review and editing

Author ORCIDs

Michael Dimitriou  <http://orcid.org/0000-0001-9890-2974>

References

- Adams RA, Shipp S, Friston KJ. 2013. Predictions not commands: active inference in the motor system. *Brain Structure & Function* **218**:611–643. DOI: <https://doi.org/10.1007/s00429-012-0475-5>, PMID: 23129312
- Aniss AM, Diener HC, Hore J, Burke D, Gandevia SC. 1990. Reflex activation of muscle spindles in human pretibial muscles during standing. *Journal of Neurophysiology* **64**:671–679. DOI: <https://doi.org/10.1152/jn.1990.64.2.671>, PMID: 2213139
- Appelberg B, Johansson H, Kalistratov G. 1977. The influence of group II muscle afferents and low threshold skin afferents on dynamic fusimotor neurones to the triceps surae of the cat. *Brain Research* **132**:153–158. DOI: [https://doi.org/10.1016/0006-8993\(77\)90713-2](https://doi.org/10.1016/0006-8993(77)90713-2), PMID: 142539
- Ariani G, Pruszynski JA, Diedrichsen J. 2022. Motor planning brings human primary somatosensory cortex into action-specific preparatory states. *eLife* **11**:e69517. DOI: <https://doi.org/10.7554/eLife.69517>, PMID: 35018886
- Barker D. 1948. The Innervation of the Muscle-Spindle. *Journal of Cell Science* **s3-89**:143–185. DOI: <https://doi.org/10.1242/jcs.s3-89.6.143>
- Barker D, Chin NK. 1961. Efferent innervation of mammalian muscle-spindles. *Nature* **190**:461–462. DOI: <https://doi.org/10.1038/190461a0>, PMID: 13687004
- Bays PM, Wolpert DM. 2007. Computational principles of sensorimotor control that minimize uncertainty and variability. *The Journal of Physiology* **578**:387–396. DOI: <https://doi.org/10.1113/jphysiol.2006.120121>, PMID: 17008369
- Bernier PM, Grafton ST. 2010. Human posterior parietal cortex flexibly determines reference frames for reaching based on sensory context. *Neuron* **68**:776–788. DOI: <https://doi.org/10.1016/j.neuron.2010.11.002>, PMID: 21092865
- Bewick GS, Banks RW. 2015. Mechanotransduction in the muscle spindle. *Pflugers Archiv* **467**:175–190. DOI: <https://doi.org/10.1007/s00424-014-1536-9>, PMID: 24888691
- Blum KP, Lamotte D'Incamps B, Zynnicki D, Ting LH. 2017. Force encoding in muscle spindles during stretch of passive muscle. *PLoS Computational Biology* **13**:e1005767. DOI: <https://doi.org/10.1371/journal.pcbi.1005767>, PMID: 28945740
- Boyd IA, Davidson JN. 1997. The structure and innervation of the nuclear bag muscle fibre system and the nuclear chain muscle fibre system in mammalian muscle spindles. *Philosophical Transactions of the Royal Society of London. Series B, Biological Sciences* **245**:81–136. DOI: <https://doi.org/10.1098/rstb.1962.0007>
- Burke RE, Strick PL, Kanda K, Kim CC, Walmsley B. 1977. Anatomy of medial gastrocnemius and soleus motor nuclei in cat spinal cord. *Journal of Neurophysiology* **40**:667–680. DOI: <https://doi.org/10.1152/jn.1977.40.3.667>, PMID: 874534
- Burke D, McKeon B, Skuse NF, Westerman RA. 1980. Anticipation and fusimotor activity in preparation for a voluntary contraction. *The Journal of Physiology* **306**:337–348. DOI: <https://doi.org/10.1113/jphysiol.1980.sp013400>, PMID: 6450832
- Burke D. 2021a. Crosstalk opposing view: Independent fusimotor control of muscle spindles in humans: there is little to gain. *The Journal of Physiology* **599**:2505–2508. DOI: <https://doi.org/10.1113/JP281337>
- Burke D. 2021b. Rebuttal from David Burke. *The Journal of Physiology* **599**:2511–2512. DOI: <https://doi.org/10.1113/JP281594>
- Churchland MM, Cunningham JP, Kaufman MT, Ryu SI, Shenoy KV. 2010. Cortical preparatory activity: representation of movement or first cog in a dynamical machine? *Neuron* **68**:387–400. DOI: <https://doi.org/10.1016/j.neuron.2010.09.015>, PMID: 21040842
- Collins DF, Prochazka A. 1996. Movement illusions evoked by ensemble cutaneous input from the dorsum of the human hand. *The Journal of Physiology* **496 (Pt 3)**:857–871. DOI: <https://doi.org/10.1113/jphysiol.1996.sp021733>, PMID: 8930850
- Collins DF, Refshauge KM, Todd G, Gandevia SC. 2005. Cutaneous receptors contribute to kinesthesia at the index finger, elbow, and knee. *Journal of Neurophysiology* **94**:1699–1706. DOI: <https://doi.org/10.1152/jn.00191.2005>, PMID: 15917323
- Crevecoeur F, Munoz DP, Scott SH. 2016. Dynamic Multisensory Integration: Somatosensory Speed Trumps Visual Accuracy during Feedback Control. *The Journal of Neuroscience* **36**:8598–8611. DOI: <https://doi.org/10.1523/JNEUROSCI.0184-16.2016>, PMID: 27535908
- Crowe A, Matthews PB. 1964. The effects of stimulation of static and dynamic fusimotor fibres on the response to stretching of the primary endings of muscle spindles. *The Journal of Physiology* **174**:109–131. DOI: <https://doi.org/10.1113/jphysiol.1964.sp007476>, PMID: 14228607
- Dimitriou M, Edin BB. 2010. Human muscle spindles act as forward sensory models. *Current Biology* **20**:1763–1767. DOI: <https://doi.org/10.1016/j.cub.2010.08.049>, PMID: 20850322
- Dimitriou M. 2014. Human muscle spindle sensitivity reflects the balance of activity between antagonistic muscles. *The Journal of Neuroscience* **34**:13644–13655. DOI: <https://doi.org/10.1523/JNEUROSCI.2611-14.2014>, PMID: 25297092
- Dimitriou M. 2016. Enhanced Muscle Afferent Signals during Motor Learning in Humans. *Current Biology* **26**:1062–1068. DOI: <https://doi.org/10.1016/j.cub.2016.02.030>, PMID: 27040776

- Dimitriou M.** 2018. Task-dependent modulation of spinal and transcortical stretch reflexes linked to motor learning rate. *Behavioral Neuroscience* **132**:194–209. DOI: <https://doi.org/10.1037/bne0000241>, PMID: 29809047
- Dimitriou M.** 2021a. Crosstalk proposal: There is much to gain from the independent control of human muscle spindles. *The Journal of Physiology* **599**:2501–2504. DOI: <https://doi.org/10.1113/JP281338>
- Dimitriou M.** 2021b. Rebuttal from Michael Dimitriou. *The Journal of Physiology* **599**:2509–2510. DOI: <https://doi.org/10.1113/JP281595>
- Dufresne JR, Soechting JF, Terzuolo CA.** 1980. Modulation of the myotatic reflex gain in man during intentional movements. *Brain Research* **193**:67–84. DOI: [https://doi.org/10.1016/0006-8993\(80\)90946-4](https://doi.org/10.1016/0006-8993(80)90946-4), PMID: 7378830
- Edin BB, Vallbo AB.** 1990a. Dynamic response of human muscle spindle afferents to stretch. *Journal of Neurophysiology* **63**:1297–1306. DOI: <https://doi.org/10.1152/jn.1990.63.6.1297>, PMID: 2141632
- Edin BB, Vallbo AB.** 1990b. Muscle afferent responses to isometric contractions and relaxations in humans. *Journal of Neurophysiology* **63**:1307–1313. DOI: <https://doi.org/10.1152/jn.1990.63.6.1307>, PMID: 2358878
- Ellaway PH, Taylor A, Durbaba R.** 2015. Muscle spindle and fusimotor activity in locomotion. *Journal of Anatomy* **227**:157–166. DOI: <https://doi.org/10.1111/joa.12299>, PMID: 26047022
- Emonet-Dénand F, Laporte Y.** 1975. Proportion of muscles spindles supplied by skeletofusimotor axons (beta-axons) in peroneus brevis muscle of the cat. *Journal of Neurophysiology* **38**:1390–1394. DOI: <https://doi.org/10.1152/jn.1975.38.6.1390>, PMID: 130468
- Emonet-Dénand F, Petit J, Laporte Y.** 1992. Comparison of skeleto-fusimotor innervation in cat peroneus brevis and peroneus tertius muscles. *The Journal of Physiology* **458**:519–525. DOI: <https://doi.org/10.1113/jphysiol.1992.sp019431>, PMID: 1302277
- Fellows SJ, Dömges F, Töpfer R, Thilmann AF, Noth J.** 1993. Changes in the short- and long-latency stretch reflex components of the triceps surae muscle during ischaemia in man. *The Journal of Physiology* **472**:737–748. DOI: <https://doi.org/10.1113/jphysiol.1993.sp019970>, PMID: 8145169
- Gale DJ, Flanagan JR, Gallivan JP.** 2021. Human Somatosensory Cortex Is Modulated during Motor Planning. *The Journal of Neuroscience* **41**:5909–5922. DOI: <https://doi.org/10.1523/JNEUROSCI.0342-21.2021>
- Gandevia SC, Burke D.** 1985. Effect of training on voluntary activation of human fusimotor neurons. *Journal of Neurophysiology* **54**:1422–1429. DOI: <https://doi.org/10.1152/jn.1985.54.6.1422>, PMID: 2935598
- Gandevia SC, Macefield G, Burke D, McKenzie DK.** 1990. Voluntary activation of human motor axons in the absence of muscle afferent feedback: the control of the deafferented hand. *Brain: A Journal of Neurology* **113** (Pt 5):1563–1581. DOI: <https://doi.org/10.1093/brain/113.5.1563>, PMID: 2245311
- Gandevia SC, Wilson L, Cordo PJ, Burke D.** 1994. Fusimotor reflexes in relaxed forearm muscles produced by cutaneous afferents from the human hand. *The Journal of Physiology* **479** (Pt 3):499–508. DOI: <https://doi.org/10.1113/jphysiol.1994.sp020313>, PMID: 7837105
- Ghez C, Favilla M, Ghilardi MF, Gordon J, Bermejo R, Pullman S.** 1997. Discrete and continuous planning of hand movements and isometric force trajectories. *Experimental Brain Research* **115**:217–233. DOI: <https://doi.org/10.1007/pl00005692>, PMID: 9224851
- Goodwin GM, McCloskey DI, Matthews PB.** 1972. Proprioceptive illusions induced by muscle vibration: contribution by muscle spindles to perception? *Science (New York, N.Y.)* **175**:1382–1384. DOI: <https://doi.org/10.1126/science.175.4028.1382>, PMID: 4258209
- Hagbarth KE, Kunesch EJ, Nordin M, Schmidt R, Wallin EU.** 1986. Gamma loop contributing to maximal voluntary contractions in man. *The Journal of Physiology* **380**:575–591. DOI: <https://doi.org/10.1113/jphysiol.1986.sp016303>, PMID: 3612576
- Houk JC.** 1976. An assessment of stretch reflex function. *Progress in Brain Research* **44**:303–314. DOI: [https://doi.org/10.1016/S0079-6123\(08\)60741-4](https://doi.org/10.1016/S0079-6123(08)60741-4), PMID: 1005721
- Hulliger M.** 1984. The mammalian muscle spindle and its central control. *Reviews of Physiology, Biochemistry and Pharmacology* **101**:1–110. DOI: <https://doi.org/10.1007/BFb0027694>, PMID: 6240757
- Hunt CC.** 1951. The reflex activity of mammalian small-nerve fibres. *The Journal of Physiology* **115**:456–469. DOI: <https://doi.org/10.1113/jphysiol.1951.sp004681>, PMID: 14898522
- Hunter JP, Ashby P, Lang AE.** 1988. Afferents contributing to the exaggerated long latency reflex response to electrical stimulation in Parkinson's disease. *Journal of Neurology, Neurosurgery, and Psychiatry* **51**:1405–1410. DOI: <https://doi.org/10.1136/jnnp.51.11.1405>, PMID: 2853207
- Jami L, Murthy KS, Petit J.** 1982. A quantitative study of skeletofusimotor innervation in the cat peroneus tertius muscle. *The Journal of Physiology* **325**:125–144. DOI: <https://doi.org/10.1113/jphysiol.1982.sp014140>, PMID: 6213764
- Johansson H, Sojka P.** 1985. Actions on gamma-motoneurons elicited by electrical stimulation of cutaneous afferent fibres in the hind limb of the cat. *The Journal of Physiology* **366**:343–363. DOI: <https://doi.org/10.1113/jphysiol.1985.sp015802>, PMID: 4057094
- Johansson H, Sjölander P, Sojka P.** 1986. Actions on gamma-motoneurons elicited by electrical stimulation of joint afferent fibres in the hind limb of the cat. *The Journal of Physiology* **375**:137–152. DOI: <https://doi.org/10.1113/jphysiol.1986.sp016110>, PMID: 3795057
- Kakuda N, Vallbo AB, Wessberg J.** 1996. Fusimotor and skeletomotor activities are increased with precision finger movement in man. *The Journal of Physiology* **492** (Pt 3):921–929. DOI: <https://doi.org/10.1113/jphysiol.1996.sp021358>, PMID: 8735002
- Kakuda N, Miwa T, Nagaoka M.** 1998. Coupling between single muscle spindle afferent and EMG in human wrist extensor muscles: physiological evidence of skeletofusimotor (beta) innervation. *Electroencephalography and Clinical Neurophysiology* **109**:360–363. DOI: [https://doi.org/10.1016/s0924-980x\(98\)00030-7](https://doi.org/10.1016/s0924-980x(98)00030-7), PMID: 9751299

- Kim SS, Gomez-Ramirez M, Thakur PH, Hsiao SS. 2015. Multimodal Interactions between Proprioceptive and Cutaneous Signals in Primary Somatosensory Cortex. *Neuron* **86**:555–566. DOI: <https://doi.org/10.1016/j.neuron.2015.03.020>, PMID: 25864632
- Körding KP, Wolpert DM. 2004. Bayesian integration in sensorimotor learning. *Nature* **427**:244–247. DOI: <https://doi.org/10.1038/nature02169>, PMID: 14724638
- Kruse MN, Poppele RE. 1991. Components of the dynamic response of mammalian muscle spindles that originate in the sensory terminals. *Experimental Brain Research* **86**:359–366. DOI: <https://doi.org/10.1007/BF00228959>, PMID: 1721875
- Kuffler SW, Hunt CC, Quilliam JP. 1951. Function of medullated small-nerve fibers in mammalian ventral roots; efferent muscle spindle innervation. *Journal of Neurophysiology* **14**:29–54. DOI: <https://doi.org/10.1152/jn.1951.14.1.29>, PMID: 14784872
- Kurata K. 1993. Premotor cortex of monkeys: set- and movement-related activity reflecting amplitude and direction of wrist movements. *Journal of Neurophysiology* **69**:187–200. DOI: <https://doi.org/10.1152/jn.1993.69.1.187>, PMID: 8433130
- Lackner JR, Taublieb AB. 1984. Influence of vision on vibration-induced illusions of limb movement. *Experimental Neurology* **85**:97–106. DOI: [https://doi.org/10.1016/0014-4886\(84\)90164-x](https://doi.org/10.1016/0014-4886(84)90164-x), PMID: 6734787
- Leoné FTM, Monaco S, Henriques DYP, Toni I, Medendorp WP. 2015. Flexible Reference Frames for Grasp Planning in Human Parietofrontal Cortex. *ENEURO* **2**:ENEURO.0008-15.2015. DOI: <https://doi.org/10.1523/ENEURO.0008-15.2015>, PMID: 26464989
- Macefield G, Gandevia SC, Burke D. 1990. Perceptual responses to microstimulation of single afferents innervating joints, muscles and skin of the human hand. *The Journal of Physiology* **429**:113–129. DOI: <https://doi.org/10.1113/jphysiol.1990.sp018247>, PMID: 2148951
- Macefield VG, Gandevia SC, Bigland-Ritchie B, Gorman RB, Burke D. 1993. The firing rates of human motoneurons voluntarily activated in the absence of muscle afferent feedback. *The Journal of Physiology* **471**:429–443. DOI: <https://doi.org/10.1113/jphysiol.1993.sp019908>, PMID: 8120815
- Macefield VG, Knellwolf TP. 2018. Functional properties of human muscle spindles. *Journal of Neurophysiology* **120**:452–467. DOI: <https://doi.org/10.1152/jn.00071.2018>, PMID: 29668385
- Makin TR, Holmes NP, Ehrsson HH. 2008. On the other hand: dummy hands and peripersonal space. *Behavioural Brain Research* **191**:1–10. DOI: <https://doi.org/10.1016/j.bbr.2008.02.041>, PMID: 18423906
- Matthews PB. 1962. The differentiation of two types of fusimotor fibre by their effects on the dynamic response of muscle spindle primary endings. *Quarterly Journal of Experimental Physiology and Cognate Medical Sciences* **47**:324–333. DOI: <https://doi.org/10.1113/expphysiol.1962.sp001616>, PMID: 13933877
- Matthews PB. 1964. Muscle Spindles and Their Motor Control. *Physiological Reviews* **44**:219–288. DOI: <https://doi.org/10.1152/physrev.1964.44.2.219>, PMID: 14152906
- Matthews PBC. 1972. The Physiological Study of Fusimotor Fibers. *Mammalian Muscle Receptors and Their Central Actions*. London: Edward Arnold Publishers Ltd. p. 195–262.
- Matthews PB. 1986. Observations on the automatic compensation of reflex gain on varying the pre-existing level of motor discharge in man. *The Journal of Physiology* **374**:73–90. DOI: <https://doi.org/10.1113/jphysiol.1986.sp016066>, PMID: 3746703
- McGuire LMM, Sabes PN. 2011. Heterogeneous representations in the superior parietal lobule are common across reaches to visual and proprioceptive targets. *The Journal of Neuroscience* **31**:6661–6673. DOI: <https://doi.org/10.1523/JNEUROSCI.2921-10.2011>, PMID: 21543595
- Minassian K, Hofstoetter US, Dzeladini F, Guertin PA, Ijspeert A. 2017. The Human Central Pattern Generator for Locomotion: Does It Exist and Contribute to Walking? *The Neuroscientist* **23**:649–663. DOI: <https://doi.org/10.1177/1073858417699790>, PMID: 28351197
- Murthy KS. 1978. Vertebrate fusimotor neurones and their influences on motor behavior. *Progress in Neurobiology* **11**:249–307. DOI: [https://doi.org/10.1016/0301-0082\(78\)90015-1](https://doi.org/10.1016/0301-0082(78)90015-1), PMID: 154690
- Nakazawa K, Yamamoto SI, Yano H. 1997. Short- and long-latency reflex responses during different motor tasks in elbow flexor muscles. *Experimental Brain Research* **116**:20–28. DOI: <https://doi.org/10.1007/pl00005740>, PMID: 9305811
- Papaioannou S, Dimitriou M. 2021. Goal-dependent tuning of muscle spindle receptors during movement preparation. *Science Advances* **7**:aebe0401. DOI: <https://doi.org/10.1126/sciadv.aebe0401>, PMID: 33627426
- Prochazka A, Hulliger M, Zangger P, Appenteng K. 1985. "Fusimotor set": new evidence for alpha-independent control of gamma-motoneurons during movement in the awake cat. *Brain Research* **339**:136–140. DOI: [https://doi.org/10.1016/0006-8993\(85\)90632-8](https://doi.org/10.1016/0006-8993(85)90632-8), PMID: 3161585
- Prochazka A. 1989. Sensorimotor gain control: a basic strategy of motor systems? *Progress in Neurobiology* **33**:281–307. DOI: [https://doi.org/10.1016/0301-0082\(89\)90004-x](https://doi.org/10.1016/0301-0082(89)90004-x), PMID: 2682784
- Prochazka A. 1996. Proprioceptive feedback and movement regulation. Rowell, Shepherd JT (Eds). *In Exercise: Regulation and Integration of Multiple Systems*. New York: American Physiological Society. p. 89–127.
- Proske U, Gandevia SC. 2012. The proprioceptive senses: their roles in signaling body shape, body position and movement, and muscle force. *Physiological Reviews* **92**:1651–1697. DOI: <https://doi.org/10.1152/physrev.00048.2011>, PMID: 23073629
- Pruszyński JA, Kurtzer I, Lillicrap TP, Scott SH. 2009. Temporal evolution of "automatic gain-scaling." *Journal of Neurophysiology* **102**:992–1003. DOI: <https://doi.org/10.1152/jn.00085.2009>, PMID: 19439680
- Pruszyński JA, Scott SH. 2012. Optimal feedback control and the long-latency stretch response. *Experimental Brain Research* **218**:341–359. DOI: <https://doi.org/10.1007/s00221-012-3041-8>, PMID: 22370742

- Pruszynski JA**, Johansson RS. 2014. Edge-orientation processing in first-order tactile neurons. *Nature Neuroscience* **17**:1404–1409. DOI: <https://doi.org/10.1038/nn.3804>, PMID: 25174006
- Ribot E**, Roll JP, Vedel JP. 1986. Efferent discharges recorded from single skeletomotor and fusimotor fibres in man. *The Journal of Physiology* **375**:251–268. DOI: <https://doi.org/10.1113/jphysiol.1986.sp016115>, PMID: 3795058
- Ribot-Ciscar E**, Ackerley R. 2021. Muscle proprioceptive feedback can be adapted to the behavioral and emotional context in humans. *Current Opinion in Physiology* **20**:46–51. DOI: <https://doi.org/10.1016/j.cophys.2020.11.010>
- Rosenbaum DA**. 1980. Human movement initiation: specification of arm, direction, and extent. *Journal of Experimental Psychology. General* **109**:444–474. DOI: <https://doi.org/10.1037/0096-3445.109.4.444>, PMID: 6449531
- Sainburg RL**, Poizner H, Ghez C. 1993. Loss of proprioception produces deficits in interjoint coordination. *Journal of Neurophysiology* **70**:2136–2147. DOI: <https://doi.org/10.1152/jn.1993.70.5.2136>, PMID: 8294975
- Sarlegna FR**, Sainburg RL. 2009. The roles of vision and proprioception in the planning of reaching movements. *Advances in Experimental Medicine and Biology* **629**:317–335. DOI: https://doi.org/10.1007/978-0-387-77064-2_16, PMID: 19227507
- Schlicht EJ**, Schrater PR. 2007. Impact of coordinate transformation uncertainty on human sensorimotor control. *Journal of Neurophysiology* **97**:4203–4214. DOI: <https://doi.org/10.1152/jn.00160.2007>, PMID: 17409174
- Scott SH**, Loeb GE. 1994. The computation of position sense from spindles in mono- and multiarticular muscles. *The Journal of Neuroscience* **14**:7529–7540. DOI: <https://doi.org/10.1523/JNEUROSCI.14-12-07529.1994>, PMID: 7996193
- Scott SH**. 2016. A Functional Taxonomy of Bottom-Up Sensory Feedback Processing for Motor Actions. *Trends in Neurosciences* **39**:512–526. DOI: <https://doi.org/10.1016/j.tins.2016.06.001>, PMID: 27378546
- Sears TA**. 1964. Efferent discharges in alpha and fusimotor fibres of intercostal nerves of the cat. *The Journal of Physiology* **174**:295–315. DOI: <https://doi.org/10.1113/jphysiol.1964.sp007488>, PMID: 14244124
- Shadmehr R**, Mussa-Ivaldi FA. 1994. Adaptive representation of dynamics during learning of a motor task. *The Journal of Neuroscience* **14**:3208–3224. PMID: 8182467.
- Shen L**, Alexander GE. 1997. Preferential representation of instructed target location versus limb trajectory in dorsal premotor area. *Journal of Neurophysiology* **77**:1195–1212. DOI: <https://doi.org/10.1152/jn.1997.77.3.1195>, PMID: 9084590
- Sleboda DA**, Roberts TJ. 2020. Internal fluid pressure influences muscle contractile force. *PNAS* **117**:1772–1778. DOI: <https://doi.org/10.1073/pnas.1914433117>, PMID: 31879350
- Sober SJ**, Sabes PN. 2005. Flexible strategies for sensory integration during motor planning. *Nature Neuroscience* **8**:490–497. DOI: <https://doi.org/10.1038/nn1427>, PMID: 15793578
- Soechting JF**, Dufresne JR, Lacquaniti F. 1981. Time-varying properties of myotatic response in man during some simple motor tasks. *Journal of Neurophysiology* **46**:1226–1243. DOI: <https://doi.org/10.1152/jn.1981.46.6.1226>, PMID: 7320744
- Soechting JF**, Flanders M. 1989. Errors in pointing are due to approximations in sensorimotor transformations. *Journal of Neurophysiology* **62**:595–608. DOI: <https://doi.org/10.1152/jn.1989.62.2.595>, PMID: 2769350
- Sutter K**, Oostwoud Wijdenes L, van Beers RJ, Medendorp WP. 2021. Movement preparation time determines movement variability. *Journal of Neurophysiology* **125**:2375–2383. DOI: <https://doi.org/10.1152/jn.00087.2020>, PMID: 34038240
- Tanji J**, Evarts EV. 1976. Anticipatory activity of motor cortex neurons in relation to direction of an intended movement. *Journal of Neurophysiology* **39**:1062–1068. DOI: <https://doi.org/10.1152/jn.1976.39.5.1062>, PMID: 824409
- Tsay J**, Kim H, Haith A, Ivry R. 2021. Proprioceptive Re-Alignment Drives Implicit Sensorimotor Adaptation. *bioRxiv*. DOI: <https://doi.org/10.1101/2021.11.12.1121.473747>
- Vallbo AB**. 1970. Discharge patterns in human muscle spindle afferents during isometric voluntary contractions. *Acta Physiologica Scandinavica* **80**:552–566. DOI: <https://doi.org/10.1111/j.1748-1716.1970.tb04823.x>, PMID: 4250202
- van Beers RJ**, Sittig AC, Gon JJ. 1999. Integration of proprioceptive and visual position-information: An experimentally supported model. *Journal of Neurophysiology* **81**:1355–1364. DOI: <https://doi.org/10.1152/jn.1999.81.3.1355>, PMID: 10085361
- Villamar Z**, Ludvig D, Perreault EJ. 2021. Short latency stretch reflexes depend on the balance of activity in agonist and antagonist muscles during ballistic elbow movements. [bioRxiv]. DOI: <https://doi.org/10.1101/2021.12.06.471376>
- Wallace CJ**, Miles TS. 1998. Movements modulate the reflex responses of human flexor pollicis longus to stretch. *Experimental Brain Research* **118**:105–110. DOI: <https://doi.org/10.1007/s002210050259>, PMID: 9547067
- Weinrich M**, Wise SP, Mauritz KH. 1984. A neurophysiological study of the premotor cortex in the rhesus monkey. *Brain* **107** (Pt 2):385–414. DOI: <https://doi.org/10.1093/brain/107.2.385>, PMID: 6722510
- Wessberg J**, Vallbo AB. 1995. Human muscle spindle afferent activity in relation to visual control in precision finger movements. *The Journal of Physiology* **482** (Pt 1):225–233. DOI: <https://doi.org/10.1113/jphysiol.1995.sp020512>, PMID: 7730985
- Wilkinson KA**. 2021. Methodological advances for studying gamma motor neurons. *Current Opinion in Physiology* **19**:135–140. DOI: <https://doi.org/10.1016/j.cophys.2020.10.002>
- Wolpert DM**, Miall RC. 1996. Forward Models for Physiological Motor Control. *Neural Networks* **9**:1265–1279. DOI: [https://doi.org/10.1016/s0893-6080\(96\)00035-4](https://doi.org/10.1016/s0893-6080(96)00035-4), PMID: 12662535

- Woo S-H**, Lukacs V, de Nooij JC, Zaytseva D, Criddle CR, Francisco A, Jessell TM, Wilkinson KA, Patapoutian A. 2015. Piezo2 is the principal mechanotransduction channel for proprioception. *Nature Neuroscience* **18**:1756–1762. DOI: <https://doi.org/10.1038/nn.4162>, PMID: 26551544
- Yang L**, Michaels JA, Pruszynski JA, Scott SH. 2011. Rapid motor responses quickly integrate visuospatial task constraints. *Experimental Brain Research* **211**:231–242. DOI: <https://doi.org/10.1007/s00221-011-2674-3>, PMID: 21503648